



Stud Gun

Automatic Stud Gun EP-12, EP-15

Operating instructions

(ID-No. 00035103)

00100264 EP-12

00100265 EP-15

Table of contents

Table of contents.....	2
1 Preface and general information.....	3
1.1 General.....	3
1.2 Scope of supply	3
1.3 Intended use	3
1.4 Liability.....	3
1.5 Warranty	4
2 Safety information	4
2.1 Personnel responsible for safety	4
2.1.1 Operator	4
2.1.2 Qualified personnel.....	4
2.2 General safety instructions.....	4
2.3 Layout of the safety instructions.....	5
3 Technical Data	6
3.1 Stud types.....	6
3.2 Dimensions and weight.....	6
3.3 Noise emission	6
3.4 Ambient conditions.....	6
4 Commissioning.....	6
4.1 Pneumatic connection.....	6
5 Operation of the gun.....	7
5.1 Insertion of studs.....	7
5.2 Faults during insertion	7
5.2.1 Studs inserted to deep.....	7
5.2.2 Studs jut out off the tire.....	7
6 Faults and troubleshooting	8
7 Lubrication and maintenance.....	9
7.1 Lubrication	9
7.1.1 Lubricating oil	9
7.1.2 Lubricating grease.....	9
7.2 Greasing points.....	9
7.3 Maintenance	10
8 Shutdown and dismounting	10
9 Spare and wear parts	11
9.1 Requirements	11
9.2 Handling of order	11
9.3 Explanation of spare parts list	11
9.4 Spare parts-set	11
9.5 Exploded drawing EP-12, EP-15.....	12
9.6 Spare parts list EP-12, EP-15	13
10 Appendix	15
10.1 CE-Declaration of Conformity.....	15
10.2 Copyright	16
10.3 Manufacturer and contact person.....	16

EN

1 Preface and general information

1.1 General

The operating instructions is used for safe operation of the Stud Guns (in the following referred to as "gun") type Automatic Stud Gun EP-12 and EP-15 (ID-No. 100264, 100265)). The safety instructions included hereinafter must be observed.

The operating instructions must be available for anybody who is working with the gun and the included instructions must be carefully attended to.

The operating instructions must always be complete and perfectly readable.

EN

1.2 Scope of supply

The delivery normally consists of a stud gun, the operating instruction and 1 separating finger for multi-flange studs fingers (only EP-8 and EP-9). The parts included in your delivery are stated in the accompanying papers.

These papers shall be checked for conformity, immediately after receipt of the goods. OKU Tools GmbH does not provide any guarantee and/or accept any liability for defects complained belatedly. Therefore:

- Contact the forwarder immediately to complain visible transit damages.
- Contact OKU Tools GmbH immediately to complain visible defects and/or incompleteness of delivery.

1.3 Intended use

The gun is intended to be used only for the insertion of single and multi-flange spikes into tyres of trucks.

Any other use shall be deemed to be inappropriate!

1.4 Liability

The information, data and notes of this operating instruction were up-to-date when passing for press. The specifications, illustrations and descriptions included hereinafter do not apply for any previously supplied guns.

We do not accept liability for damages and operating troubles caused by:

- inappropriate use.
- unauthorized modification of gun.
- improper operation of the gun.
- operating errors.
- disregard of this operating instructions.

1.5 Warranty

Conditions of warranty: see Standard Terms and Conditions of OKU Tools GmbH.

Assert warranty claims against OKU Tools GmbH immediately after detection of the defect.

Warranty claims expire in each case in which liability claims cannot be made.

2 Safety information

EN

2.1 Personnel responsible for safety

2.1.1 Operator

Operator is called any natural or legal person who is using the gun and/or on behalf of whom the gun is used.

The operator and/or his safety officer must ensure,

- observance of the relevant regulations, instructions and laws.
- only qualified personnel is working with the gun.
- personnel having the operating instructions available at any time.
- to prohibit non-qualified personnel from working with the gun.

2.1.2 Qualified personnel

As qualified personnel are to be considered persons who were authorised by the safety officer of the plant to perform the necessary activities and who are able to recognise and avoid potential hazards because of their education, experience, instructions and their knowledge about corresponding standards and rules for the prevention of accidents as well as operating conditions (see IEC 364, definition for qualified personnel).

2.2 General safety instructions

These safety instructions do not claim to be exhaustive. In case of any questions, please, contact OKU Tools.

At the time of delivery the gun is state of the art and reliable.

The gun is a source of danger for persons, for the gun itself and for other material assets of the operator, if

- it is operated by unqualified personnel.
- it is used inappropriately.




Operate the gun only when it is in good condition.

Any upgrade, modification or redesign of the gun is basically prohibited. In this case, please confer with OKU Tools.

2.3 Layout of the safety instructions


The safety instructions described hereinafter are arranged consistently.

Beware of personal injury


Pictogram	Meaning	Signal words	Notes
	Warning for hazardous electrical voltage	Danger!	Warns of imminent danger . Consequences of disregarding: Death or very severe injuries
	Warning for general danger	Warning!	Warns of a potential, very hazardous situation . Consequences if disregarded: Death or very severe injuries
	Warning for a general danger	Caution!	Warns of a potential hazardous situation . Consequences if disregarded: Light or minor injuries

EN

Warning of material damage

Icons used	Meaning	Signal words	Notes
	Warning of material damage	Stop!	Warns of potential material damage . Consequences if disregarded: Ambient damage or damage of the gun.

Other information

Icons used	Meaning	Signal words	Notes
	General note	Note!	Designates a general, useful note. Adherence hereof will ease the use of the gun.

3 Technical Data

3.1 Stud types

The gun can be used for the insertion of single-flange and multi-flange studs into car tires. Factory setting is for the insertion of single-flange studs.

Type	ID.-No.	Stud sizes
EP-12	00100264	Ø12, 15-25 mm length
EP-15	00100265	Ø15, 18-25 mm length

EN

3.2 Dimensions and weight

The following values are valid for the gun without any accessories and can differ according to the respective extra equipment.

Length	ca. 310 mm
Width	ca. 70 mm
Height	ca. 182 mm
Weight	ca. 2,6 kg

3.3 Noise emission

The sound pressure level at the work station of the operator can reach up to 83 dB(A). Provide suitable ear protection for the operator.

3.4 Ambient conditions

Use the gun only in closed and dry rooms.

The permissible ambient temperature during operation is from 10 °C to 40 °C.

4 Commissioning

Precautions to be taken before start working with the gun

- Check gun for proper condition.
- Do never operate a damaged gun.

4.1 Pneumatic connection



The pneumatic connection is to be made by qualified personnel with extensive knowledge in handling of pneumatic systems.

Screw provided coupling (1) onto the hand grip. Plug compressed air hose into coupling. The gun requires compressed air with approx. 7-8 bar working pressure. The maximum operating pressure amounts to 10 bar.



Coupling (1) for compressed air connection

EN

5 Operation of the gun

5.1 Insertion of studs

Without feeding unit: fill the feeding pipe (13) with approx. 10 studs (flange leading).

With feeding unit: connect the gun with the feeding hose of the studs until feeding pipe (13) is filled with studs (flange leading).

Moisten tire with low surface tension water. To get this, mix normal tap water with some drops of usual dish liquid.



Use only less dish liquid to avoid that the inserted stud is pulled out again when extracting the gun.

Insert spreader fingers (34) into one of the moistened tyre holes. Operate the trigger (17) and keep it pressed. The stud is pressed into the tire. Release trigger; the gun is now loosen from the tire and the stud is inserted.



Put some pressure onto the gun when inserting the studs. With some practice and skill you'll soon find the respective pressure which shall be applied to reach a steady result.

5.2 Faults during insertion

5.2.1 Studs inserted to deep

Reduce the pressure applied on the gun during insertion.

5.2.2 Studs jut out off the tire

Put more pressure onto the gun when inserting the studs.

6 Faults and troubleshooting



When unscrewing the intermediate piece (21), it must be held tight, because of the strong compression spring which is in the gun. If not, it can be ejected and pose great danger.

No.	Cause	Trouble shooting
6.1	Deformed or dirty stud jammed in feeding pipe (13) or gun head.	Unscrew union nut (33) and take the head (25) off the gun. Now remove the jammed stud.
6.2	Stud in feeding pipe (13) in wrong position (with shank leading)	Remove feeding tube and shake out stud
6.3	Trigger (17) get caught	Remove O-Ring (19) and dowel pin (18) and then trigger (17). Clean and lubricate trigger slightly with oil. Check if compression spring (3) broken, if so replace compression spring.
6.4	Worn spreader fingers (34)	Unscrew union nut (33) and take the head (25) off the gun. Remove O-Ring (31) and replace spreader finger (34)
6.5	Worn push rod (22)	Unscrew union nut (33) and take the head (25) off the gun. Unscrew both hexagon head cap screws (16) (Caution!), press intermediate piece (21) against hand grip (back-pressure of inner springs). Remove intermediate part and circlip (15). Extract push rod (22) together with the springs (10, 11), retaining ring (14) piston disk (6) lip seal (7) and bushing (23). Unscrew hexagon nut (8) and replace worn push rod. Assemble the gun in reversed order and replace hexagon nut if necessary.
6.6	Worn centring finger (32)	Unscrew union nut (33) and take the head (25) off the gun. Remove O-Ring (31) and replace centring finger (32).
6.7	Worn separating pin (27)	Unscrew union nut (33) and take the head (25) off the gun. Remove separating flap (26) from dowel pin (29). The compression spring (28) may not jump out. The separating pin (27) is riveted with the separating flap (26). Grind off closing head and drive off separating pin with a drift punch. Replace and rivet separating pin. Assemble the gun in reversed order.

EN

7 Lubrication and maintenance

7.1 Lubrication



Observe the effective directions for the use and safety of the applied lubricants!

7.1.1 Lubricating oil

Distinguishing mark acc. to DIN 51502	Designation	ISO-Viscosity Index DIN 51519	Manufacturer
AN 22	Normal lubricating oil	ISO VG 22	AVIA (AVILUB RS 22) BP (BP Energol CS 22) ESSO (Coray 22) SHELL (SHELL Carnea Oel 22)

EN

7.1.2 Lubricating grease

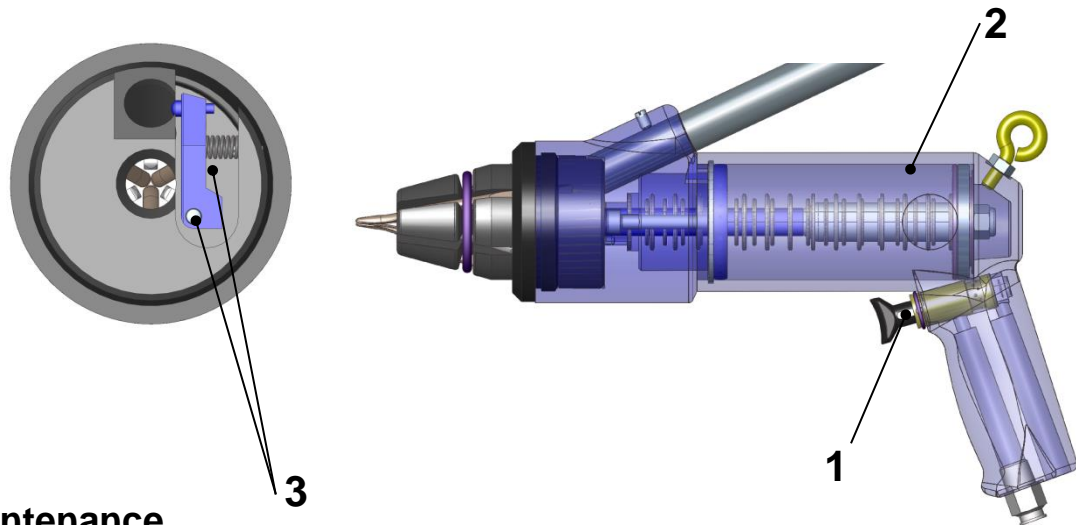
Designation acc. to DIN 51825	Designation	Consistency Index NLGI Class as per DIN 51818	Worked penetration as per DIN ISO 2137	Manufacturer
KP2K-20	Lubricating grease for bearing	NLGI-2	265-295	AVIA (AVIALITH 2) BP (Energrease L2) ESSO (Beacon 2) KLÜBER (CENTOPLEX 2 EP) MOBIL (Mobilux 2) SHELL (Alvania R 2)

7.2 Greasing points

The following points of the gun need to be greased regularly. You will find a maintenance-set including grease and corrosion preventive-oil-spray in the spare parts list in chapter 9.6.

To grease the gun it must be partially dismantled (see hereto chapter 6 "Faults and trouble shooting". We recommend taking the opportunity and greasing the gun when replacing the wear parts.

No.	Designation	Service to be done	Consumables Measured values	Frequency	Notes
1	Trigger	Lubricate with oil	Lubricating oil DIN 51501-L-AN 22	quarterly	Oil trigger slightly
2	Piston disk Lip seal	Lubricate with grease	Lubricating grease DIN 51825-KP2K-20	yearly	Grease piston surface slightly
3	Separating flap	Lubricate with grease	Lubricating grease DIN 51825-KP2K-20	quarterly	Grease dowel pin and frontal contact surface of head gun slightly



EN

7.3 Maintenance

We are working with water to insert the studs, therefore the head of the gun shall be sprayed regularly with anticorrosive material to avoid corrosion and extend lifetime of the gun.

8 Shutdown and dismantling

OKU Tools takes back your gun. We recommend you have OKU Tools professionally dismantle the gun and dispose of it.



Be part of the environmental protection by recycling valuable materials.

What?		Where?
Transport material	Pallets	Return to the manufacturer or forwarder
	Packing material	Cardboard boxes to waste paper plastic to plastic recycling or waste material reuse wood-wool or waste material
Lubricants	Oil, grease	Dispose according to the valid regulations
Components	Used materials: aluminium aluminium cast grey cast iron steel brass plastic	Separate valuable substances and dispose

9 Spear and wear parts

9.1 Requirements



Spare and wear parts must be in accordance with the technical requirements stipulated by the manufacturer.

9.2 Handling of order

To ensure punctual handling of orders, please state always the **OKU-ID.-No.** of the spare part you need when ordering. You'll find the **OKU-Id.-No.** on the drawing of the gun and the spare parts list.

EN

9.3 Explanation of spare parts list

The numbers on the exploded drawing correspond to the item numbers of the spare parts list.

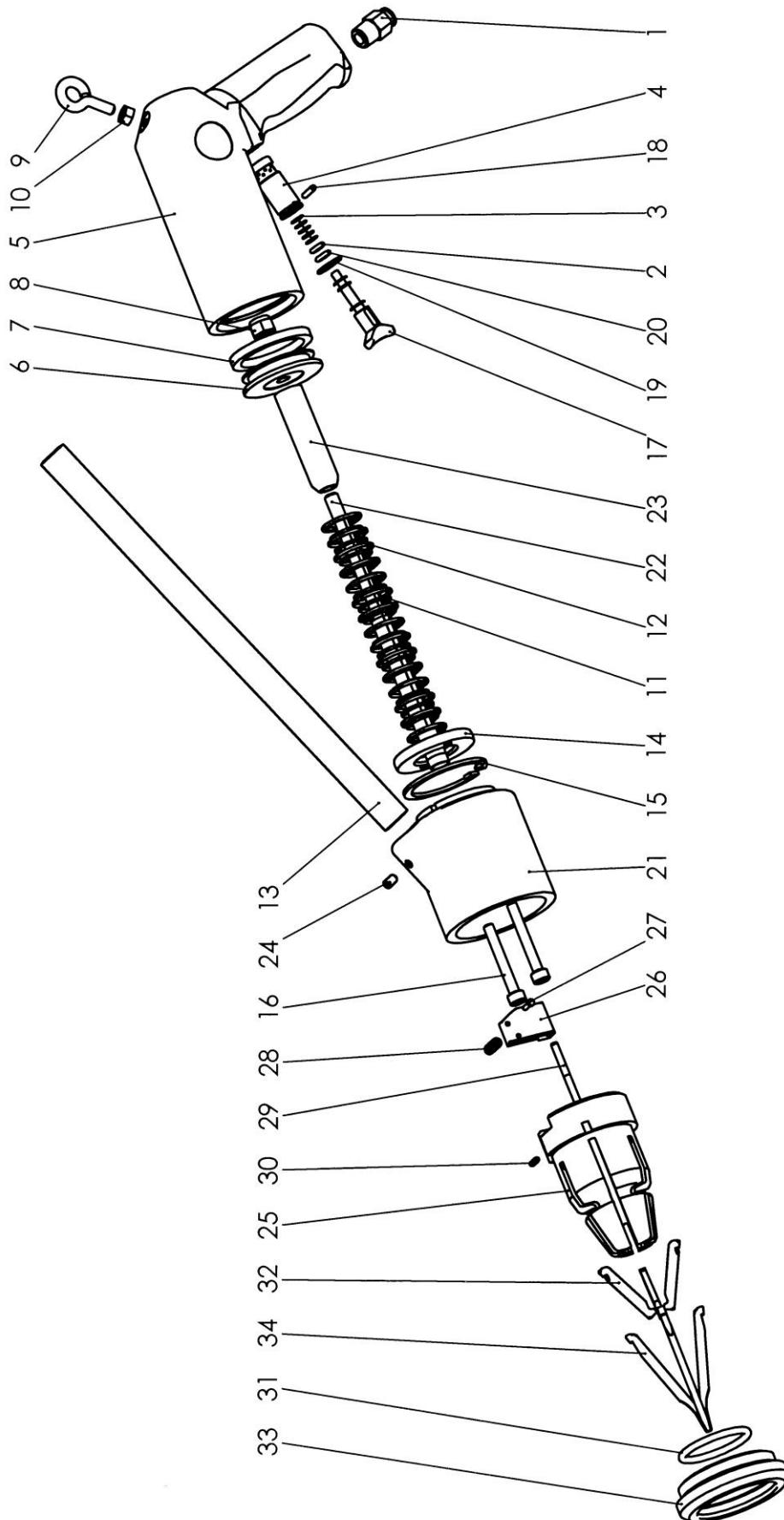
9.4 Spare parts-set

To the gun there is available a spare parts-set including the most important wear parts. It contains all in the spare parts list with * marked parts inclusive grease and corrosion preventive-oil-spray.

OKU-Id.-No. spare parts-set **EP-12:** **20015508**

OKU-Id.-No. spare parts-set **EP-15:** **20015509**

9.5 Exploded drawing EP-12, EP-15



EN

9.6 Spare parts list EP-12, EP-15

Item	OKU part No.	Qty	Designation
1	00031539	1	Coupling
2	00003463	1	O-Ring
3	00350297	1	Compression spring
4	00350728	1	Bushing
5	00470942	1	Hand grip
6	00350664	1	Piston disk
7	00003507	1	Lip seal
8	00004082	1	Hexagon nut M8
9	00000613	1	Eyebolt
10	00000627	1	Hexagon nut M6
11	00350670	1	Compression spring, inner
12	00350669	1	Compression spring, outer
13	00350659	1	Feeding pipe 12
	00350660	1	Feeding pipe 15
14	00350666	1	Retaining ring
15	00000796	1	Circlip
16	00004099	2	Hexagon socket head cup screw
17	00470092	1	Trigger
18	00000536	1	Dowel pin
19	00003464	1	O-Ring *
20	00003404	1	O-Ring
21	00470238	1	Intermediate piece
22	00250053	1	Push rod 12 *
	00250049	1	Push rod 15 *
23	00350710	1	Sleeve
24	00000300	1	Set screw
25	00470221	1	Gun head EP-12
	00470222	1	Gun head EP-15
26	00350991	1	Separating flap
27	00403148	1	Separating pin
28	00350665	1	Compression spring
29	00350806	1	Dowel pin
30	00004083	1	Spring dowel pin
31	00003467	1	O-ring *
32	00353731	3	Centering finger *
33	00350923	1	Union nut

EN

Item	OKU part No.	Qty	Designation
34	00470946	3	Spreader finger for truck *

00885027	1	corrosion preventive-oil, aerosol can 100 ml (single) *
00885028	1	grease, tube 20 g (single) *
20015510	1	1 aerosol can corrosion preventive-oil (100 ml) and 1 tube grease (20 g) as maintenance-set

* = included in the spare parts-set

EN

10 Appendix

10.1 CE-Declaration of Conformity

(CE Machine Directive 2006/42/EC, Appendix II A)

The manufacturer: OKU Tools GmbH
Sommestrasse 6
70374 Stuttgart

herewith declares that the machine

designation: **Studding gun models:
AS-8, AS-9, EP-8, EP-9, EP-10, EP-12, EP-15, EPK-6,5, EPK-8**

as delivered complies all the relevant regulations of the CE Machine Directive 2006/42/EC.

Harmonized standards applied:

EN ISO 12100 Safety of machinery – General principles for design
– Risk assessment and risk reduction

Stuttgart, 15.11.2017

OKU Tools GmbH



Karin Klingel
Geschäftsführer

EN

10.2 Copyright

© 03/2019

This documentation is protected by copyright which covers the exclusive rights to reproduce and distribute the documentation, as well as all translation rights. No material published in this documentation may reproduce photographically or stored on micro-film, in electronic data bases, video disks, etc. Technical modifications reserved.

EN

10.3 Manufacturer and contact person



OKU Tools GmbH
Sommestrasse 6
70374 Stuttgart

Phone: +49 162 2510040
Fax: +49 711 5006375
Internet: www.okutools.com

Your contact person is: Karin Klingel

Sales Department Studs

Phone: +49 162 2510040
Fax: +49 711 5006375
E-Mail: info@okutools.com